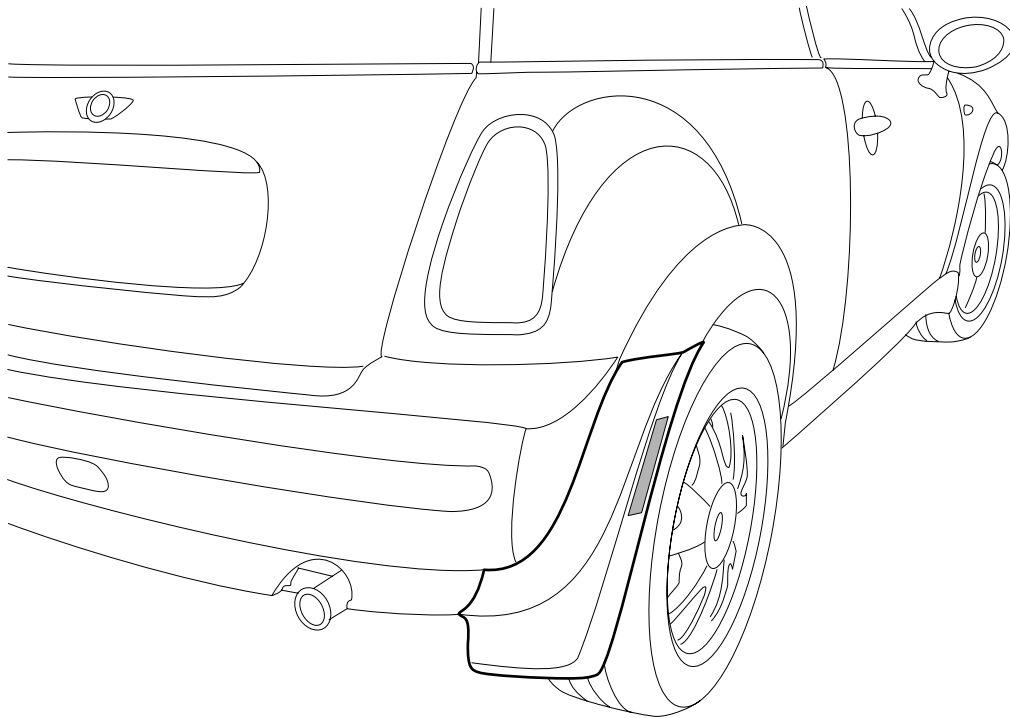




Parts and Accessories Installation Instructions



050 0422 V

Rear Mud Flaps

MINI One and MINI Cooper (R 50) US-specification

The installation time is approx. 1.0 hours, but this may vary depending on the condition of the car and the equipment in it.

Retrofit / Installation kit No. 82 16 0 149 289

Contents

Section	Seite
Important information	3
1. Preparations	4
2. Parts kit	5
3. To install the mud flaps	6

Important information

The retrofit kit is for use within the MINI dealership organisation only.

Target group

The target group for these installation instructions is specialist staff trained on MINI cars. All servicing, repair, installation and adjustment work on cars is completed at your own risk.

All work is to be carried out using current MINI

- Repair manuals (see Technical Information System),
- Servicing handbooks,
- Work instructions in a rational sequence with the prescribed tools (special tools) and taking into account the relevant health and safety regulations.

Installation information



The installation sequence is shown for the right-hand side. The left-hand mud flap is installed in the same sequence. ◀

General information

The bonding is strong enough for automatic car washes after 48 hours.

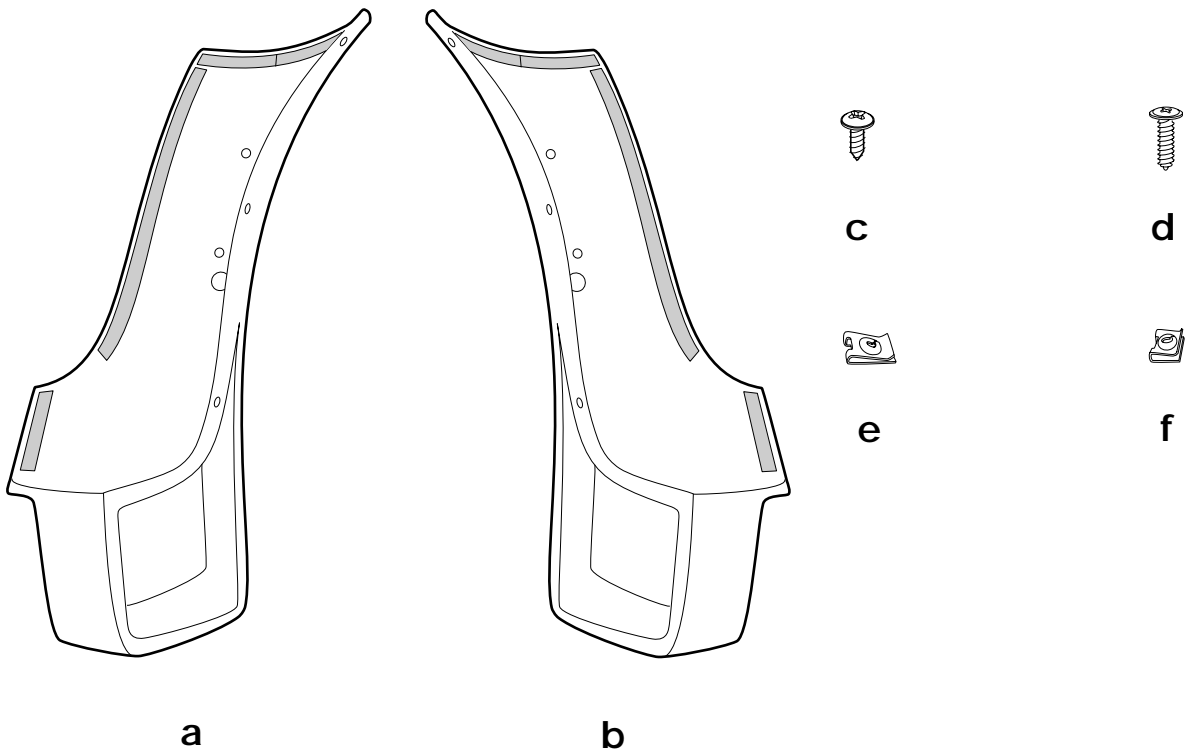
Required tools and equipment

Philips screwdriver
Drill with Ø 3 mm bit
Spirit
Cloths

1. Preparations

	TIS AW-Nr.
Remove the rear wheels	36 10 300
Remove the wheel arch extensions, if fitted	
Unfix both wheel arch linings in the back area	51 71 041
Remove both rear side marker lamps	63

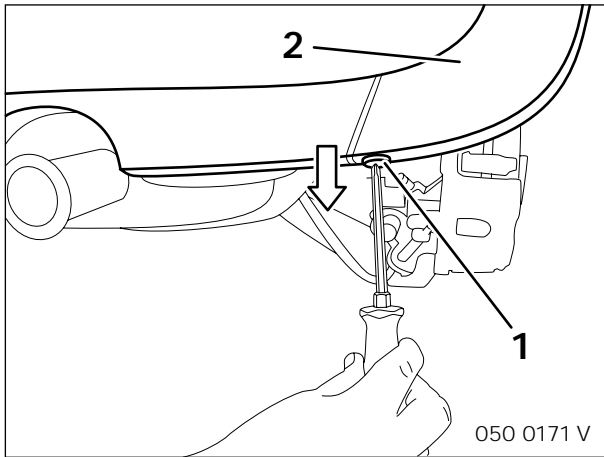
2. Parts kit



050 0423 V

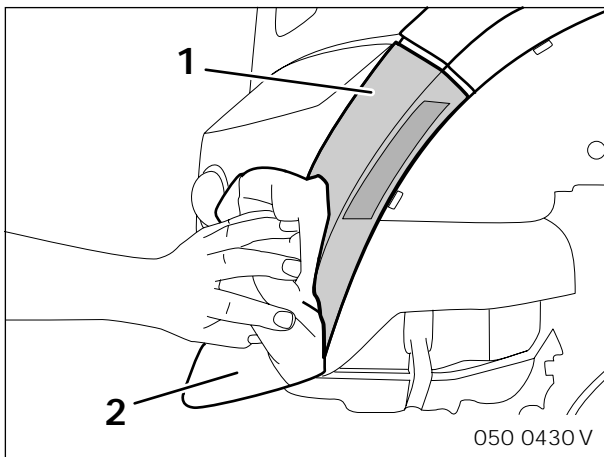
a	Left mud flap	1
b	Right mud flap	1
c	Screw 3,9 x 13	6
d	Screw 4,8 x 19	2
e	Large speed nut	2
f	Small speed nut	2

3. To install the mud flaps



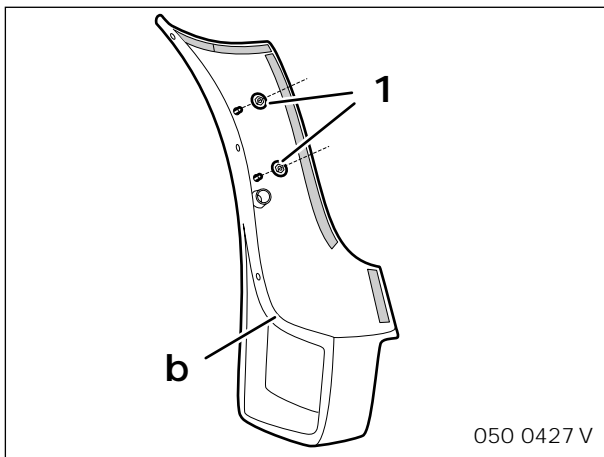
Remove the bottom securing screw (1) from the wheel arch trim (2).

The securing screw (1) is not needed any longer.

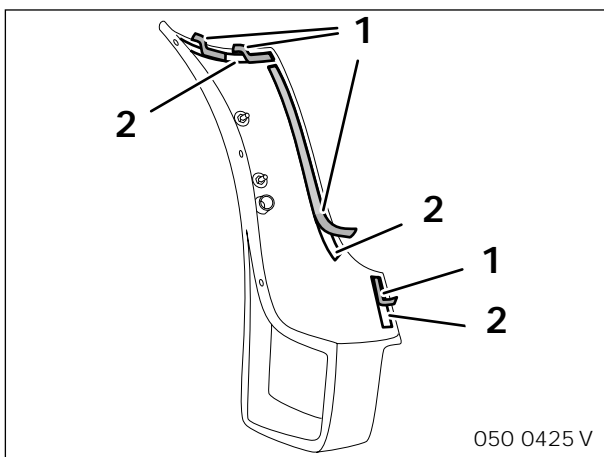


The entire contact area (1) of the mud flap must be absolutely dry, clean and free from wax and grease. Inadequate cleaning will impair the durability of the glued connection. ◀

Clean the entire contact area (1) of the mud flap using a cloth (2) and spirit.



Install side marker lamp into the mud flap **b** and tighten it with the existing speed nuts (1).

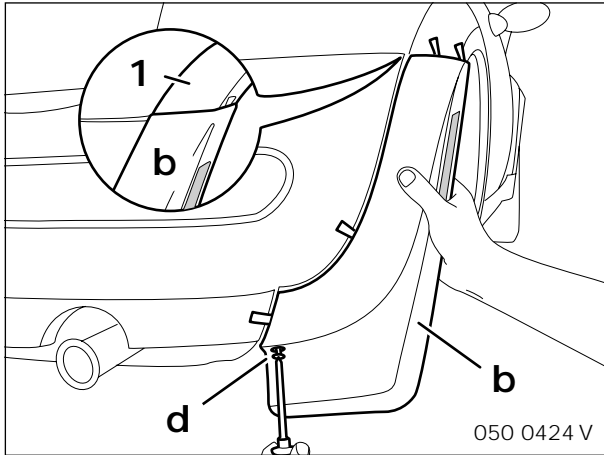


Pull off each of the protective films (1) from the bonding surfaces (2) by about 3 cm and bend them outwards.



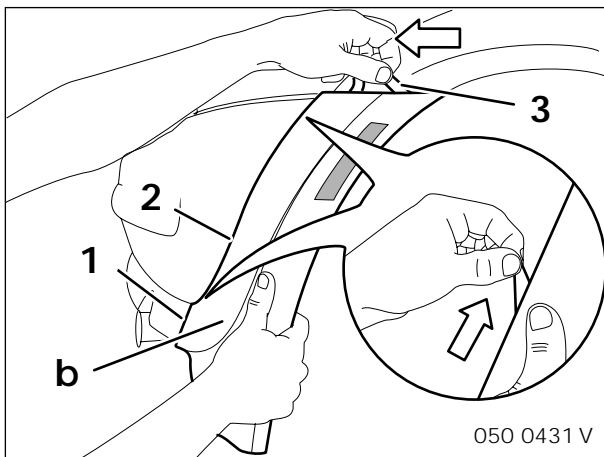
Make sure that the protective films (1) are peeled off from the bottom or from the outside. ◀

3. To install the mud flaps



- ▶ Make sure that the corners of the protective films which have already been peeled off are visible and the mud flap **b** covers the trim (1) without gaps. ◀

Place the mud flap **b** onto the wheel arch trim from below and **connect** the plug of the side marker lamp (carry out functional testing!). Use the screw **d** to secure the mud flap **b** at the bottom outer hole and fix wheel arch lining (not shown in this picture).



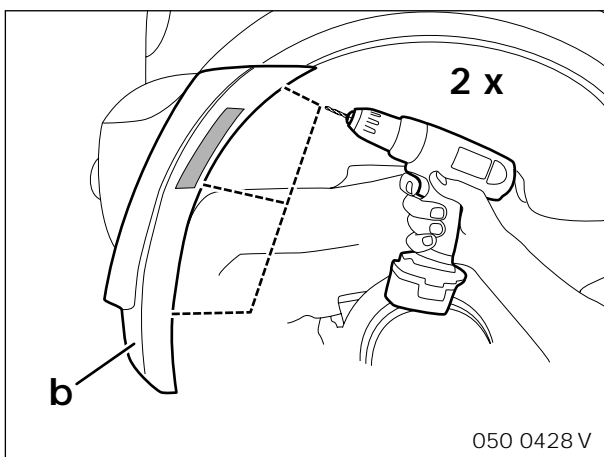
- ▶ Always follow the gluing sequence. Make sure that the mud flap **b** makes full contact during the gluing process. ◀

Peel off the entire bottom adhesive tape (1) and firmly press the mud flap **b** against the wheel arch trim in the glued area.

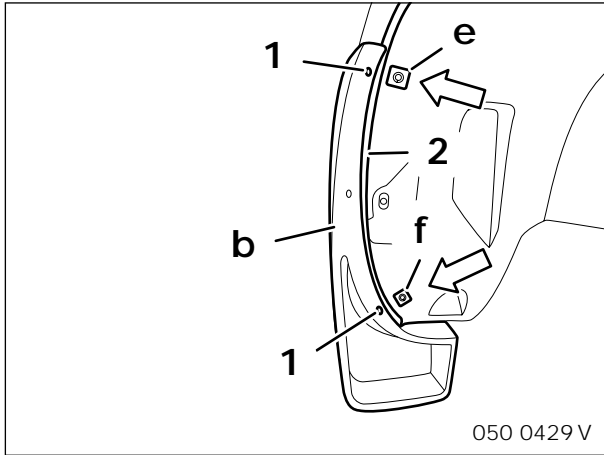
Peel off the middle adhesive tape (2) and firmly press the mud flap **b** against the wheel arch trim from bottom to top in the glued area.

Finally peel off the entire top adhesive tapes (3) and firmly press the mud flap **b** against the wheel arch trim in the glued area.

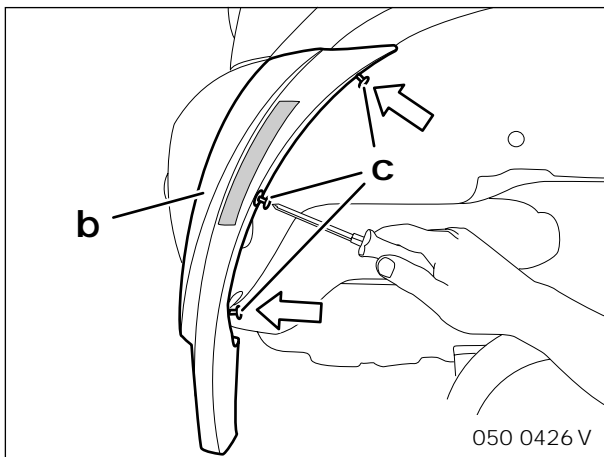
Use the Ø 3 mm bit to drill through the three blind holes in the mud flap **b** and into the wheel arch trim.



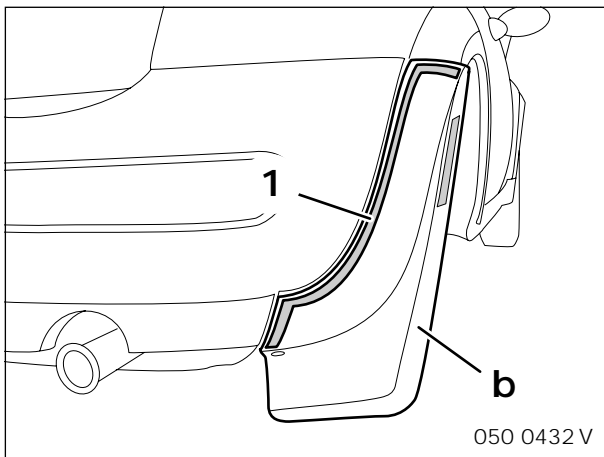
3. Montage der Schmutzfänger



Push speed nuts **e** and **f** over the drilled holes (1) in the wheel arch trim (2).



Attach the mud flap **b** to the inner wheel arch trim using the three screws **c**.



Concluding, press on the gray area (1) of the mud flap **b** bonding from bottom to top once again.