

# Parts and Accessories. Installation Instructions.



## Centre armrest retrofit

MINI ONE (R50)

MINI COOPER (R50)

MINI Convertible (R52)

MINI COOPER S (R53)

**Retrofit kit No.**            51 16 0 398 467  
   51 16 0 398 630

### Installation time

The installation time is 1.0 hours, but this may vary depending on the equipment in the car.

### Important information

These installation instructions are primarily designed for use within the MINI dealership organisation and by authorised BMW service companies.

In any event the target group for these installation instructions is specialist personnel trained on MINI cars with the appropriate specialist knowledge.

All work must be completed using the latest MINI repair manuals, circuit diagrams, servicing manuals and work instructions in a rational order using the prescribed tools (special tools) and observing current health and safety regulations.

**To avoid unnecessary extra work and/or costs, if any installation or function problems occur, after a brief troubleshooting session (approx. 0.5 hours), an inquiry is to be sent straight away to the technical parts support via the Aftersales Assistance Portal (ASAP), quoting the chassis number, the part number of the retrofit kit and a precise description of the problem.**

Do not archive the hard copy of these installation instructions since daily updates are made by ASAP.

See ASAP for details of the pictograms.

Subject to technical modifications.

### Ordering instructions

The handbrake console **U** must be ordered separately (see EPC for part number and further details).

### List of special equipment

The following special equipment must be taken into consideration when installing the retrofit/upgrade kit:

**SA 210**     Dynamic Stability Control III (DSC)

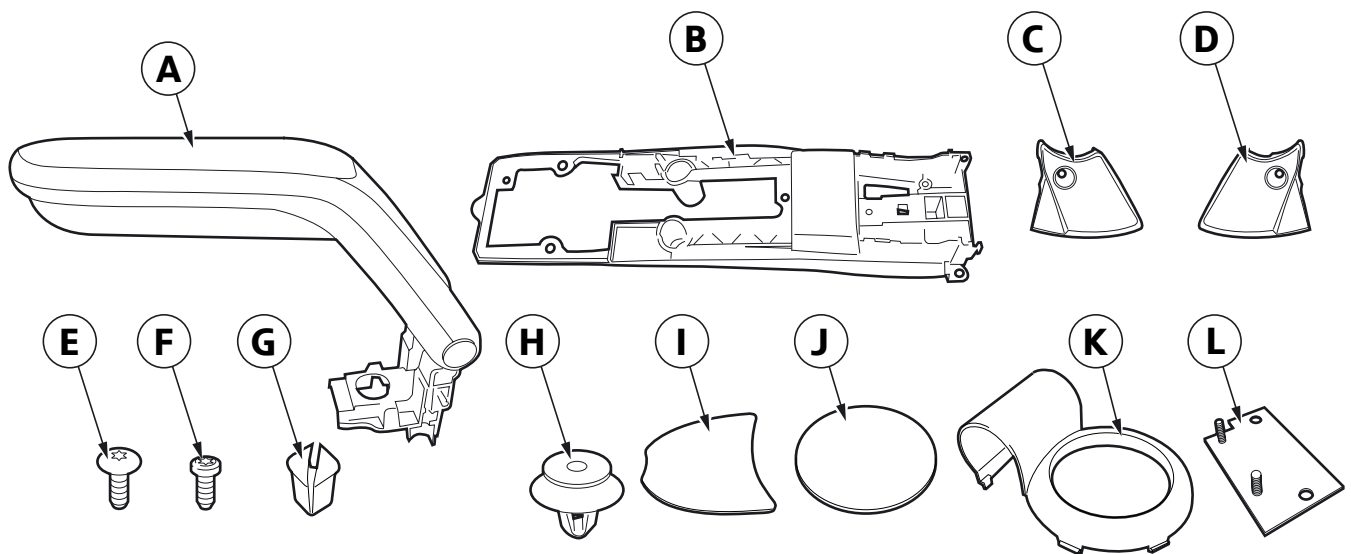
### Special tools required

None

## Contents

| Section                                 | Page |
|---|------|
| 1. Parts list.....                      | 3    |
| 2. Preparations.....                    | 5    |
| 3. To assemble the centre armrest ..... | 6    |
| 4. To install the centre armrest .....  | 7    |
| 5. Concluding work and coding .....     | 9    |

## 1. Parts list

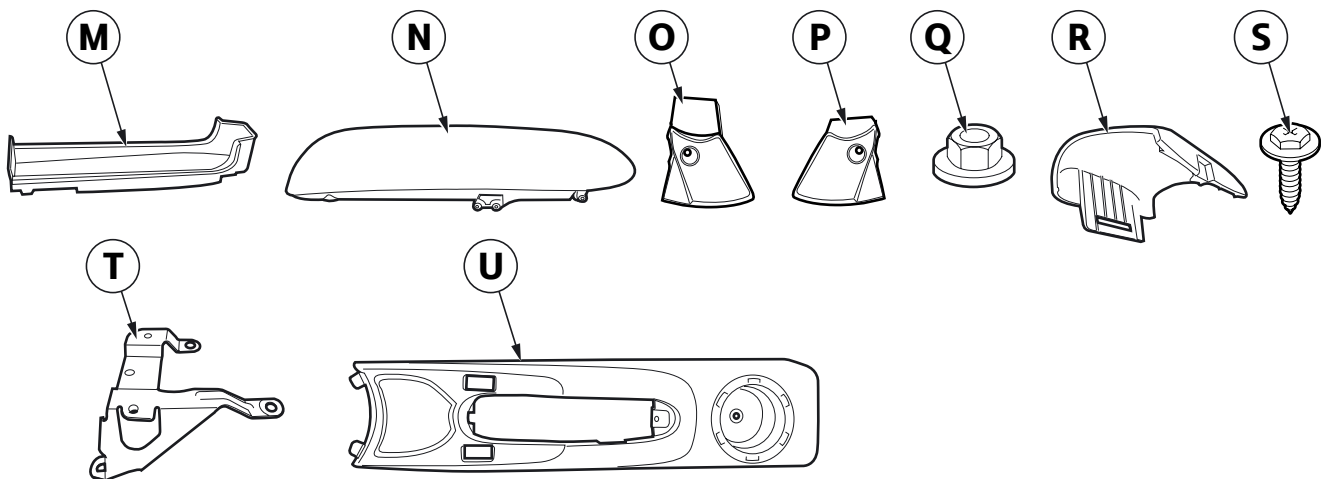


R52 0105 Z

### Legend

- A Centre armrest
- B Handbrake console holder
- C Right-hand centre armrest cover (for R52 cars only)
- D Left-hand centre armrest cover (for R52 cars only)
- E Fillister head screw 6 x 18 mm (5x)
- F Fillister head screw 5 x 12 mm (2x)
- G Expanding nut
- H Clip (4x)
- I Handbrake console mat
- J Cup holder mat
- K Handbrake console décor ring
- L Adapter plate (R50 cars built before 04/04 only)

## 1. Parts list



R52 0122 Z

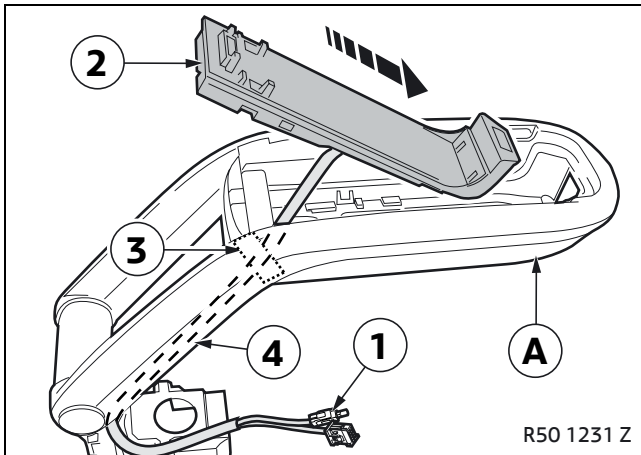
### Legend

- M Oddments tray (cars without telephone only)
- N Centre armrest arm support
- O Left-hand centre armrest cover (for R50/R53 cars only)
- P Right-hand centre armrest cover (for R50/R53 cars only)
- Q Hexagonal nut M6 (4x)
- R Rear cover
- S Phillips head screw 2.1 x 9 mm
- T DSC sensor holder (cars with SA 210 DSC only)
- U Handbrake console (not supplied with the retrofit kit)

## 2. Preparations

|   | <b>TIS No.</b> |
|---|----------------|
| Conduct a brief test  | ---            |
| Disconnect the negative pole of the battery                       | 12 00 ...      |
| <b>The following components must be removed first of all</b>      |                |
| Rear centre console   | 51 16 216      |
| Rear centre console holder  | 51 16 218      |
| DSC sensor holder, no longer required (cars with SA 210 DSC only) | 51 45 051      |

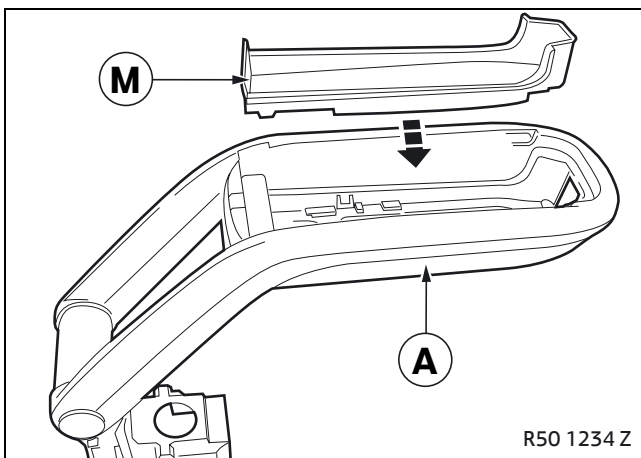
### 3. To assemble the centre armrest



#### Cars with telephone only

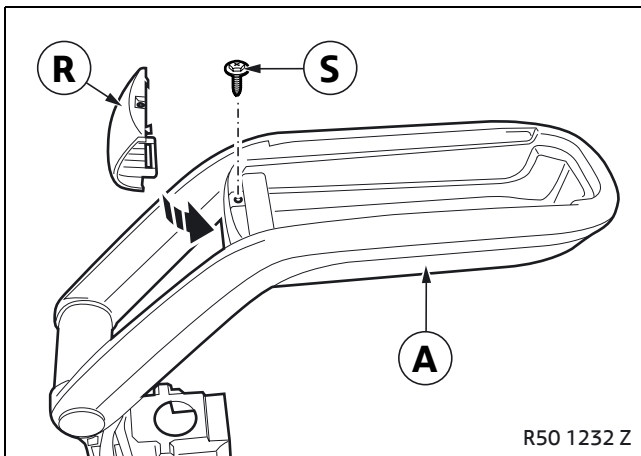
Route the connection cable (1) for the eject box (2) through the opening (3) in the centre armrest A and into the cable duct (4).

Engage the eject box (2) into the centre armrest A.



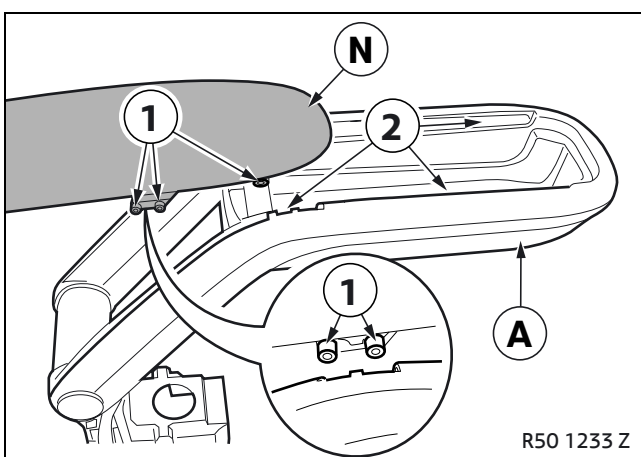
#### Cars without a telephone only

Place the oddments tray M in the centre armrest A.



#### All cars

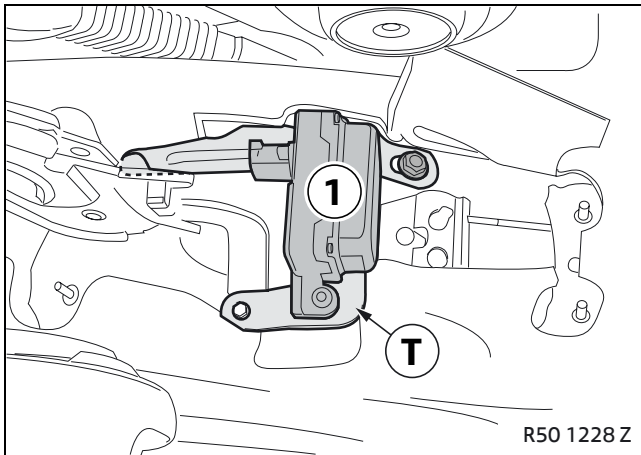
Place the cover R on the centre armrest A and secure it with a fillister head screw S.



Lock the guide bolt (1) for the arm support N into the grooves (2) of the centre armrest A.

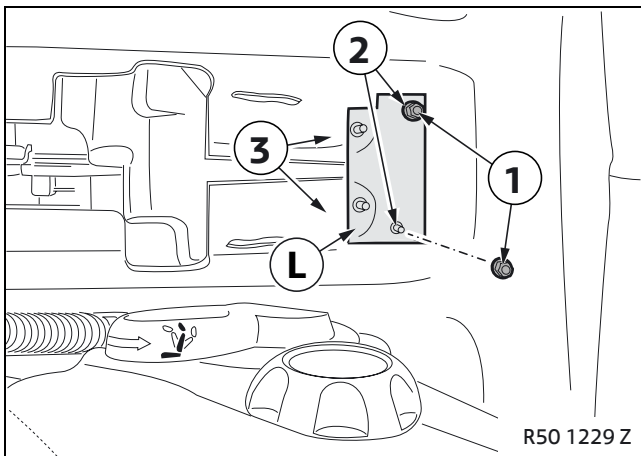
Slide the arm support N forwards and check its function.

#### 4. To install the centre armrest



##### Cars with SA 210 (DSC) only

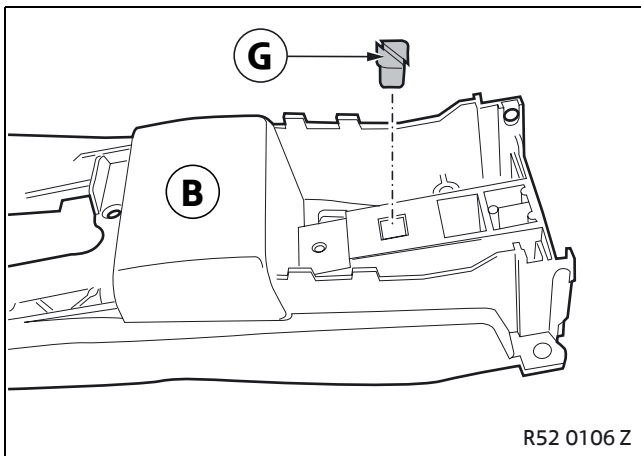
Secure the DSC sensor holder **T** to the centre tunnel and install the DSC sensor (1) as described in TIS RA 34 52 550.



##### R50 cars built before 04/04 only

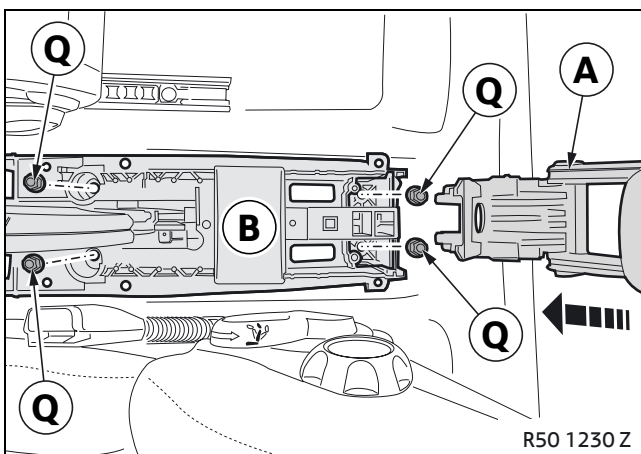
Pull back the carpet (3).

Secure the adapter plate **L** to the stud bolt (2) using the existing hexagonal nuts (1).



##### All cars

Insert the expanding nut **G** into the handbrake module holder **B**.



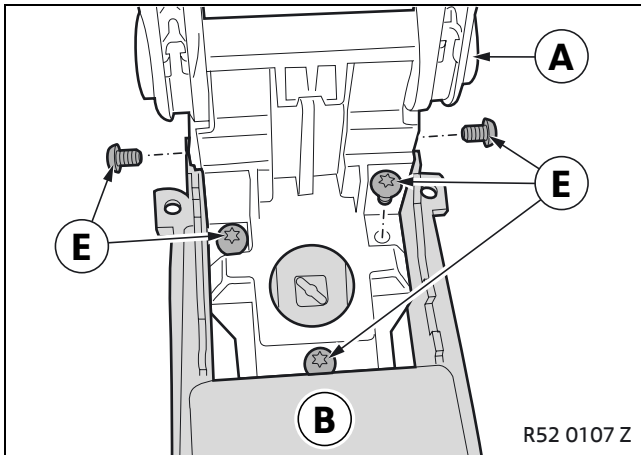
Secure the handbrake console holder **B** using hexagonal nuts **Q**.

Insert the centre armrest **A** into the handbrake module holder **B**.

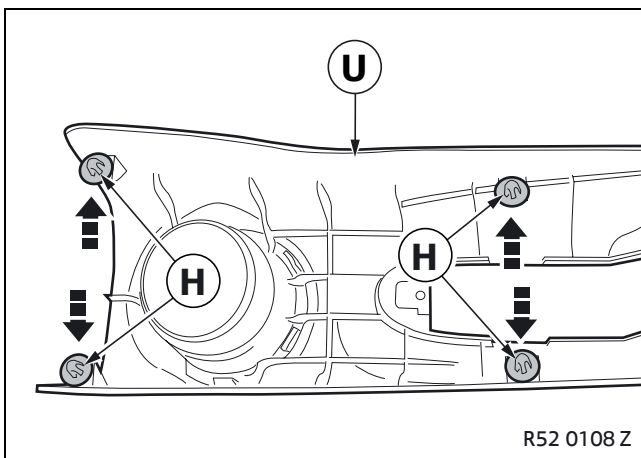
##### Cars with telephone only

Connect the plug to the telephone wiring harness.

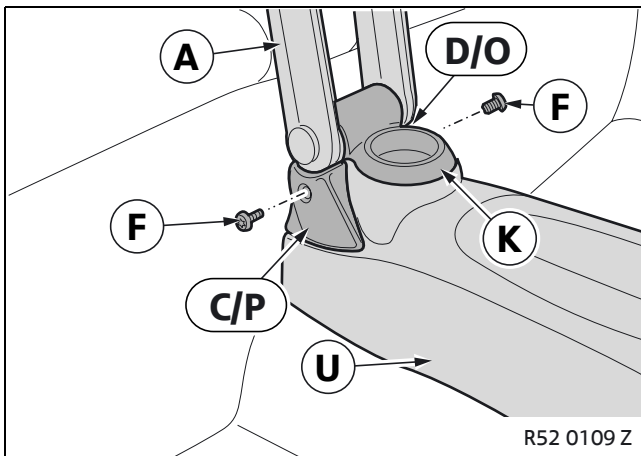
4. To install the centre armrest



Secure the centre armrest **A** to the handbrake console holder **B** using fillister head screws **E**.



Fit clips **H** in the handbrake console **U**.



Install the handbrake console **U** as described in TIS RA 51 16 218.

Secure the right-hand centre armrest cover **C** or **P** and the left-hand centre armrest cover **D** or **O** using a fillister head screw **F**.

Fit the handbrake console décor ring **K** to the handbrake console **U**.



## **5. Concluding work and coding**

- Connect the battery
- Conduct a brief test