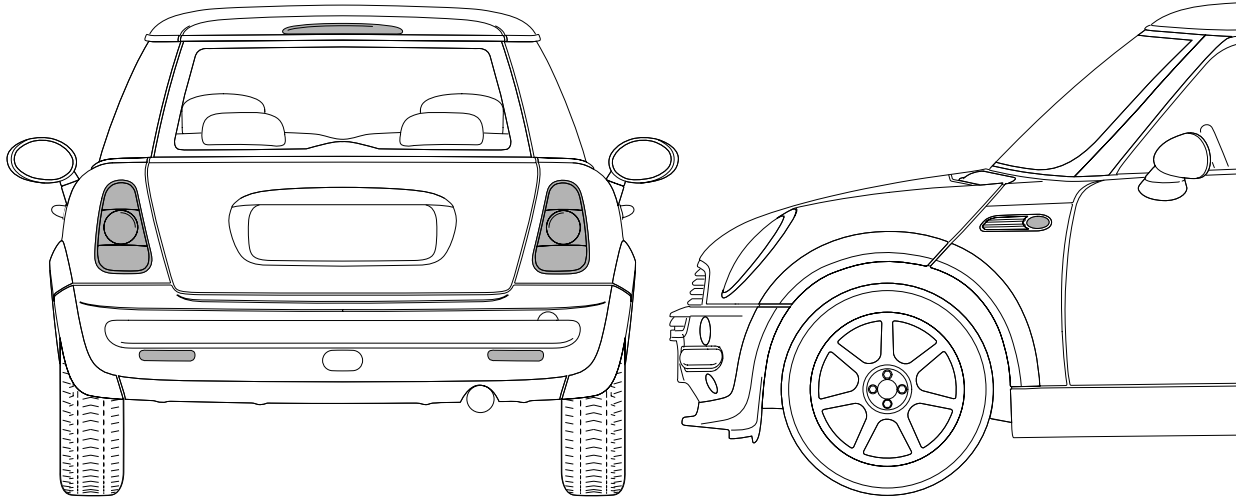




# Parts and Accessories Installation Instructions



050 0126 V

## **White lights MINI (R 50 / R 53)**

The installation time is approx. 0.25 hours for side lights and approx. 1.25 hours for rear lights including the third brake light and reflex reflectors, but this time may vary depending on the condition of and the equipment in the car.

Retrofit/Installation kit No. 63 12 0 140 693 / 63 12 0 141 252 / 63 12 0 142 223 /  
63 12 0 142 518

## Contents

Section	Page
Important information . . . . .	3
1. Preparations . . . . .	4
2. To install the rear lights . . . . .	5

## **Important information**

The retrofit kit is for use within the MINI dealership organisation only.  
Separate reflex reflectors replace the reflectors in the lights (statutory regulation).  
The reflector casings can be painted and can therefore be finished in the body colour. Before being painted the reflector casings must be primed. Follow the BMW painting instructions.  
If a rear spoiler (special equipment) is fitted it must be raised slightly (if necessary) to replace the third brake light.

## **Target group**

The target group for these installation instructions is specialist staff trained on MINI cars.  
All servicing, repair, installation and adjustment work on cars is completed at your own risk.

All work is to be carried out using current MINI

- Repair manuals (see Technical Information System),
- Servicing handbooks,
- Work instructions,

in a rational sequence with the prescribed tools (special tools) and taking into account the relevant health and safety regulations.

## **Required tools and equipment**

Drill and 10 mm twist drill bit

Compass saw

Semi-circular file

Tape

Suitable measuring tool (for example flexible steel tape measure)

Stop

## 1. Preparations

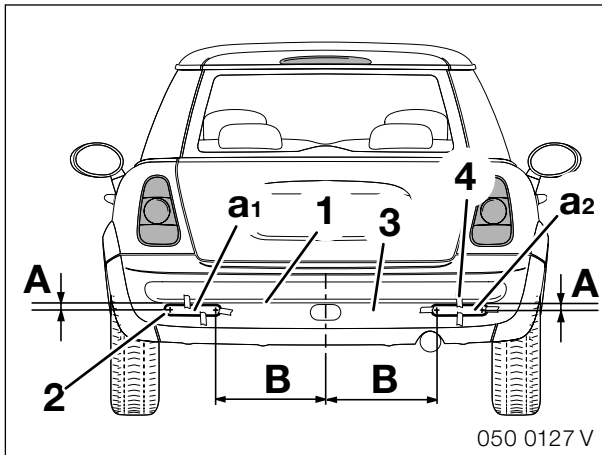
	<b>TIS instruction No.</b>
Replace the side indicator lights	63 13 210
Replace the third brake light	63 25 000
Replace the tail light	63 21 200

## 2. To install the rear lights



Only use the templates from the original installation kit, in other words do not use copies. ◀

Cut out the templates **precisely** along the marked lines.



### Standard bumper:

Mask the whole of the working area to protect the bumper. Position the template **a<sub>1</sub>** at a distance of **A=29.5 mm** between the bumper joint (1) and the cross (2) on the bumper (3). At the same time check the distance **B = 390 mm** from the centre of the car to the inner cross. Secure the template with several strips of adhesive tape (4) (remove some of the strips of adhesive tape temporarily). Position template **a<sub>2</sub>** in the same way.

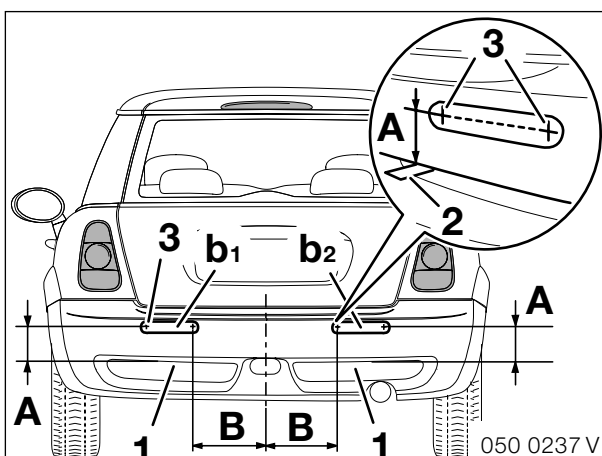
Mark the marking for the recess for the reflector casing on the bumper (3) along the outer contour of the templates **a<sub>1</sub>** and **a<sub>2</sub>**.

Drill a starting hole for the compass saw at a safe distance from the marking, within the contour, using a drill bit. Carefully cut out the recess.

Check the size of the recess by positioning the reflector casing. If necessary finish the recess with a semi-circular file.

Insert the reflector casing with the word "Top" at the top. As you fit it ensure that it is correctly positioned. To do this insert the casing at the bottom and then press it in at the top.

Remove the backing foil from the rear of the reflector. Affix the reflector in the reflector casing with the word "Top" at the top.



### Aerodynamic package bumper and Cooper S:

The reflector casings must be installed in the aerodynamic package bumper and Cooper S using templates **b<sub>1</sub>** and **b<sub>2</sub>**. The work is to be conducted in the same way as that for the standard bumper. Mark dimension **A** as follows: Place a stop (2) on the top surface of the recess (1). From the top edge of the stop (2) measure dimension **A** to the crosses (3) on templates **b<sub>1</sub>** and **b<sub>2</sub>**. Dimension **A = 102 mm** for the aerodynamics package bumper, dimension **A = 98 mm** for the Cooper S bumper. Dimension **B = 303 mm** for the aerodynamics package and Cooper S bumpers.