

John Cooper Works Tuning. Installation Instructions.



Retrofit - John Cooper Works Sports Brakes

MINI ONE/COOPER (R50)

MINI Convertible (R52)

MINI Cooper S (R53)

MINI One (R56)

MINI Cooper (R56)

MINI Cooper S (R56)

Retrofit kit only suitable for approved wheels (see Section 6).

Retrofit kit No.:	34 11 0 393 455	Retrofit kit - Sports brakes
	34 11 0 419 859	Retrofit kit - Sports brakes
	34 11 0 428 914	Retrofit kit - Sports brakes

Installation time

The installation time of approx. 3.5 hours may vary depending on the vehicle's condition and equipment.

Important information

The Customer Information D and G (Part No. 01 29 0 397 588) is to be handed over to the customer.

These installation instructions are primarily designed for use within the MINI dealership organisation and by authorised MINI service companies.

In any event, the target group for these installation instructions is specialist personnel trained on MINI cars with the appropriate specialist knowledge.

All work must be completed using the latest MINI repair manuals, circuit diagrams, servicing manuals and work instructions, in a rational order, using the prescribed tools (special tools) and observing current health and safety regulations.

In the event of installation or functional problems, limit troubleshooting to 0.5 hours for mechanical jobs and 1.0 hours for electrical jobs.

To avoid unnecessary work and costs, send a corresponding enquiry via the Aftersales Assistance Portal (ASAP) using the technical parts support application.

Please quote the following:

- Vehicle identification number
- Part number of retrofit kit
- Exact description of the problem
- Work already carried out.

Do not archive the hard copy of these installation instructions since daily updates are made by ASAP!

All pictures show LHD cars; proceed accordingly on RHD cars.

Pictograms



Denotes instructions that draw your attention to dangers.



Denotes instructions that draw your attention to special features.

◀ Denotes the end of the instruction or other text.

Special tools required

34 6 300 Brake piston tool

Customer information

Complete the workshop certificate (see Section 8) and hand over to the customer.

Hand over Customer Information **G** (R51, R52, R53) or **D** (R56) and TÜV Certificate (see annex) to the customer.

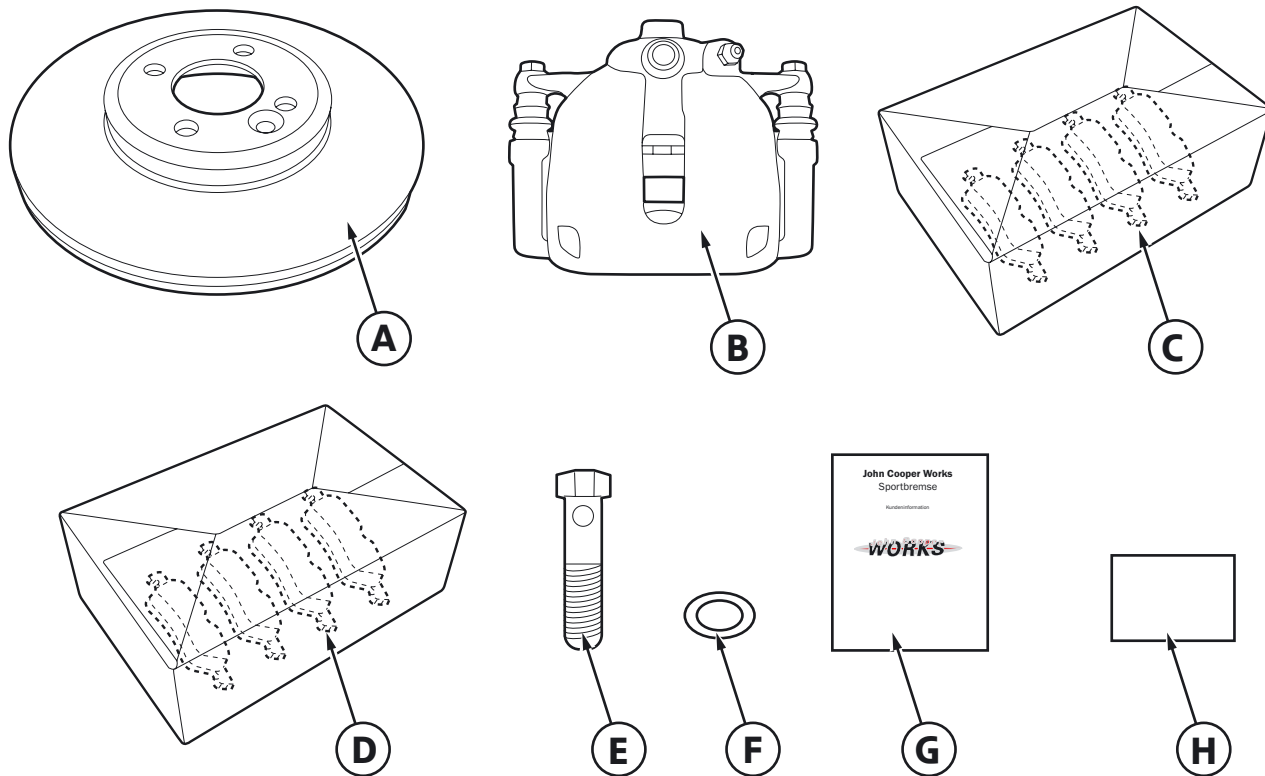


Carefully run in the sports brakes over the first 200 km. The brakes then exhibit their sports properties to the full extent. ◀

Contents

Section	Page
1. Parts overview (only for R50, R52, R53)	4
2. Parts overview (only for R56)	5
3. Preparatory work	6
4. Installation R50, R52, R53	7
5. Installation R56.	8
6. Approved wheels	9
7. Concluding work and coding.	10
8. Workshop certificate.	11

1. Parts overview (only for R50, R52, R53)



056 0306 V

Legend

A Front brake disc (2x)

B Front brake calliper (2x)

C Front brake pads

D Rear brake pads

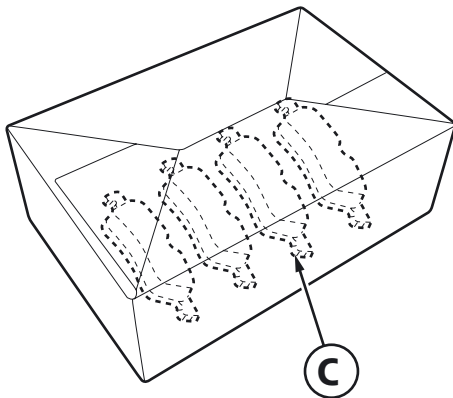
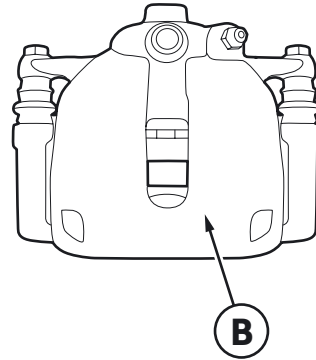
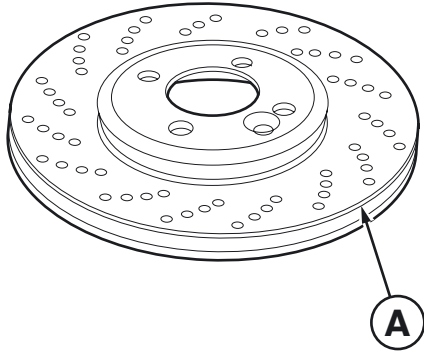
E Banjo bolt, front (2x)

F Seal, front (4x)

G Customer Information

H Label

2. Parts overview (only for R56)



056 0305 V

Legend

A Front brake disc (2x)

B Front brake calliper (2x)

C Front brake pads

D Customer Information

E Label

3. Preparatory work

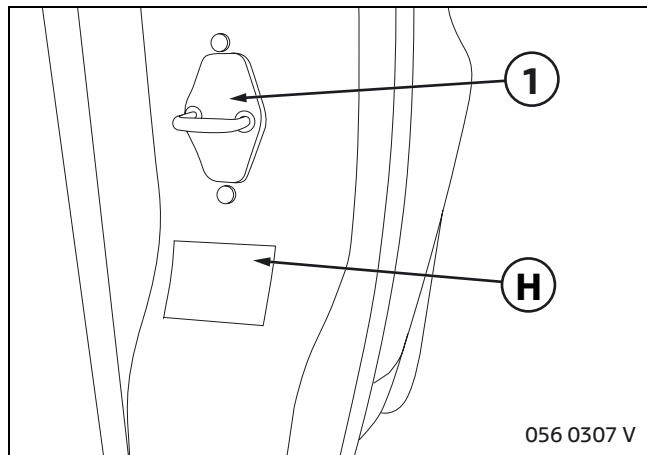
	TIS No.
Perform quick test	—
Disconnect negative terminal of battery	12 00 ...
The following components are to be removed beforehand (only R50, R52, R53)	
Brake pads, front	34 11 000
Brake disc, front	34 11 220
Brake calliper, front	34 11 519
Brake pads, rear	34 21 200
The following components are to be removed beforehand (only R56)	
Brake pads, front	34 11 000
Brake disc, front	34 11 220
Brake calliper, front	34 11 519


4. Installation R50, R52, R53

Install front brake discs **A** as described in TIS-No. 34 11 220.

Install brake calliper **B** with set of seals **F** and set of screws **E** as described in TIS No. 34 11 519.

Install front brake pads **C** as described in TIS No. 34 11 000 and rear brake pads **D** as described in TIS No. 34 21 200.



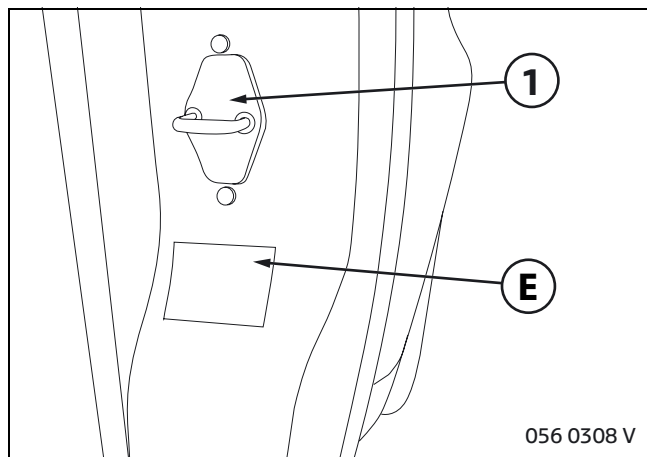
 The adhesion area for the sticker must be free of dust and grease. ◀


Affix label **H** on the driver's side B-pillar under the door lock (1).

5. Installation R56

Install front brake discs **A** as described in TIS-No. 34 11 220.

Install brake calliper **B** as described in TIS No. 34 11 519 and front brake pads **C** as described in TIS No. 34 11 000.



 The adhesion area for the sticker must be free of dust and grease. ◀

Affix label **E** on the driver's side B-pillar under the door lock (1).

6. Approved wheels

 The following wheels are **NOT** approve for John Cooper Works sports brakes. ◀

Wheel size	Rim size	Material	Description	Part number
15"	Cannot be installed			
16"	5.5J x 16 inch	Steel wheel	Styling 12	6764346
	6.5J x 16 inch	Cast aluminium wheel	Styling R83	1512348
	6.5J x 16 inch	Cast aluminium wheel	Styling R83	1512349
	6.5J x 16 inch	Cast aluminium wheel	Styling R84	1512350
	6.5J x 16 inch	Cast aluminium wheel	Styling R84	1512351
	6.5J x 16 inch	Cast aluminium wheel	Styling R88	6755811
	6.5J x 16 inch	Cast aluminium wheel	Styling R90	6759988
	6.5J x 16 inch	Cast aluminium wheel	Styling R92	6763297
	6.5J x 16 inch	Cast aluminium wheel	Styling R92	6763298
17"	All wheels can be installed			
18"	7J x 18 inch	Cast aluminium wheel	Styling R107	6774581

7. Concluding work and coding

The retrofit system does not require encoding.

- Reconnect vehicle battery
- Perform quick test
- Reassemble vehicle in reverse order of removal
- Perform function test

Complete the workshop certificate (see Section 8) and hand over to the customer.

Hand over Customer Information **G** (R50, R52, R53) or **D** (R56) and TÜV Certificate (see annex) to the customer.

 **Important customer information:** Carefully run in the sports brakes over the first 200 km. The brakes then exhibit their sports properties to the full extent. ◀



WORKSHOP CERTIFICATE

The retrofit kit - sports brakes No. 34 11 0 393 455 or No. 34 11 0 419 859 was installed in accordance with the installation instructions No. 01 29 0 397 293 and TÜV Certificate No. 07-00058-CP-GBM-01 dated 13. 02. 2007.

Vehicle type: _____

Vehicle identification No.: _____

Retrofit kit No. _____

Vehicle owner: Name and address: _____

Place, date

Signature