

John Cooper Works Tuning. Installation Instructions.



Rear Spoiler Retrofit MINI One (R56) MINI Cooper (R56) MINI Cooper S (R56)

Retrofit kit no.:	51 71 0 404 126	Rear spoiler, all colours
	51 71 0 420 773	Rear spoiler, black
	51 71 0 420 774	Rear spoiler, white

Installation time

The installation time is approximately 0.5 hours, but may vary depending on the condition of the car and the equipment in it.

Important information

These installation instructions are primarily designed for use within the MINI dealership organisation and by authorised MINI service companies.

In any event, the target group for these installation instructions is specialist personnel trained on MINI cars with the appropriate specialist knowledge.

All work must be completed using the latest MINI repair manuals, circuit diagrams, servicing manuals and work instructions, in a rational order, using the prescribed tools (special tools) and observing current health and safety regulations.


To avoid unnecessary extra work and/or costs, if any installation or function problem occurs, after a brief troubleshooting session (approx. 0.5 hours), please contact the following:


- 1. Either your national subsidiary or your regional office, or**
- 2. The support team via the Aftersales Assistance Portal (ASAP), using the optional technical parts support application.**

Specify the chassis number and the part number of the installed retrofit kit and give a precise description of the problem.

Do not archive the hard copy of these installation instructions since daily updates are made by ASAP!
All pictures show LHD cars; proceed accordingly on RHD cars.

Pictograms

 Denotes instructions that draw your attention to dangers.

 Denotes instructions that draw your attention to special features.

◀ Denotes the end of the instruction or other text.

Installation information

The installation is shown in part for the left side of the vehicle only, proceed in the same way for the right side of the vehicle.

The assembly of spoiler **A** after painting is carried out in reverse order.

Painting instructions

Primed parts must be pre-treated accordingly.

When painting, comply with the MINI painting instructions.

Notes on ordering

In the case of the primed retrofit kit, cover **B** is not included in the parts kit and must be ordered separately.

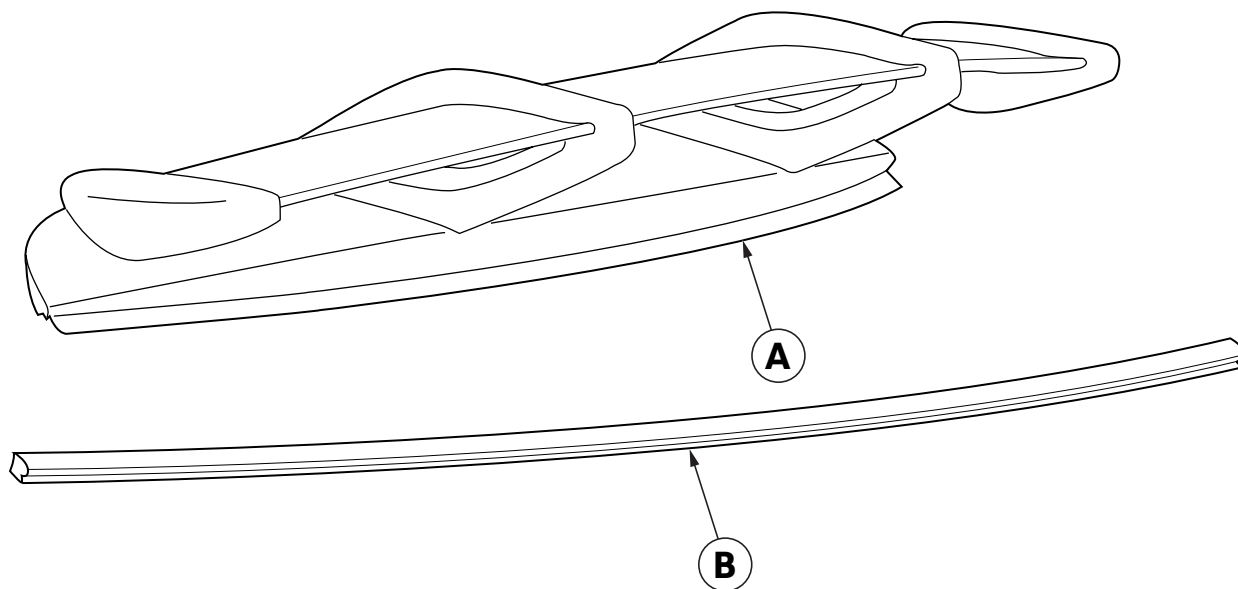
Special tools required

51 0 300, Hand roller

Contents

Chapter	Page
1. Parts overview	4
2. Preliminary work	5
3. Installation diagram	6
4. Mounting rear spoiler	7

1. Parts overview



056 0080 E

Legend

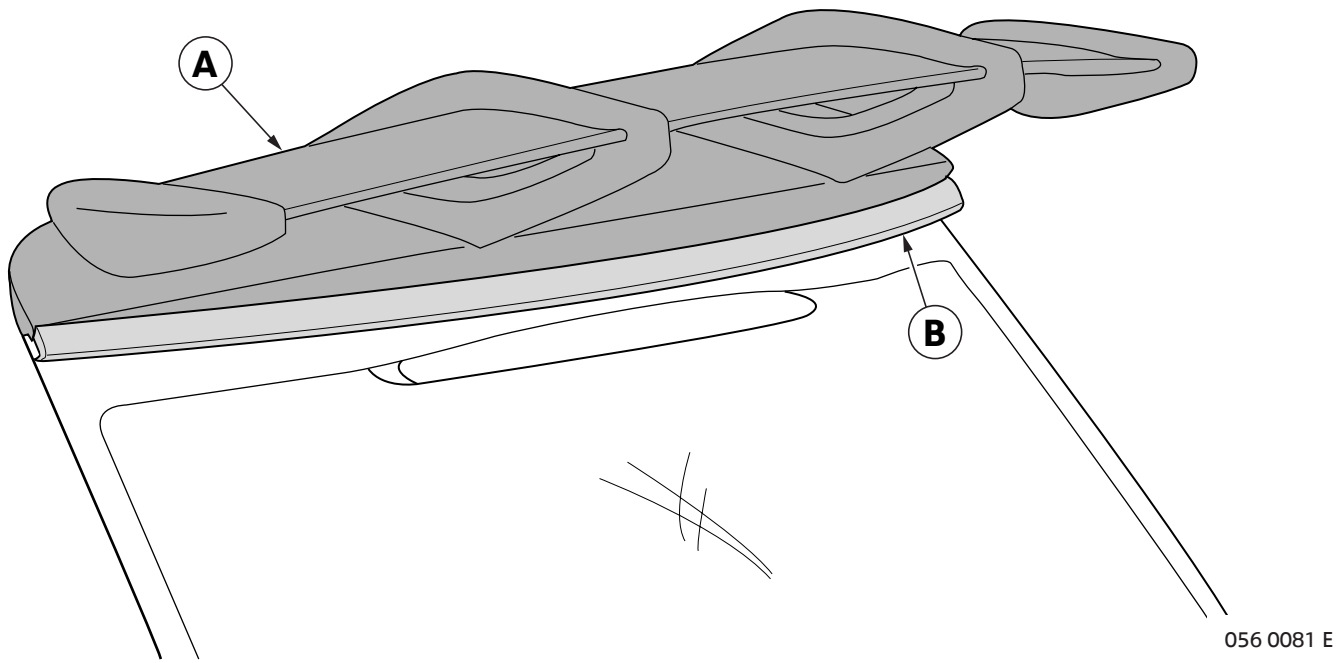
A Rear spoiler (1x)

B Cover (1x),
In the case of the primed retrofit kit, this is already
glued onto the spoiler

2. Preliminary work

	TIS No.
Dismantle the following components beforehand:	
Remove and attach rear spoiler	51 71 412

3. Installation diagram

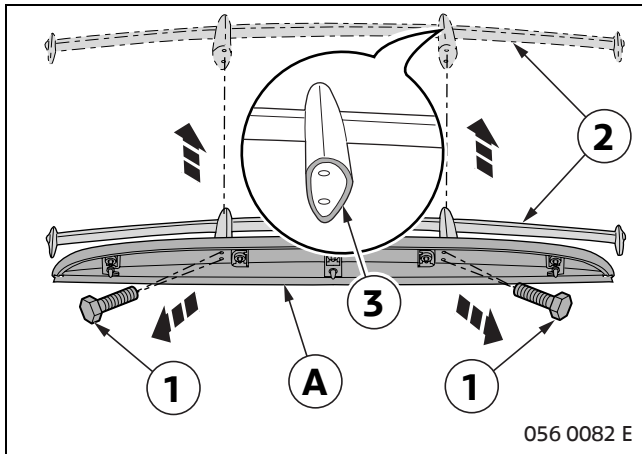


Legend

A Rear spoiler

B Cover

4. Mounting rear spoiler



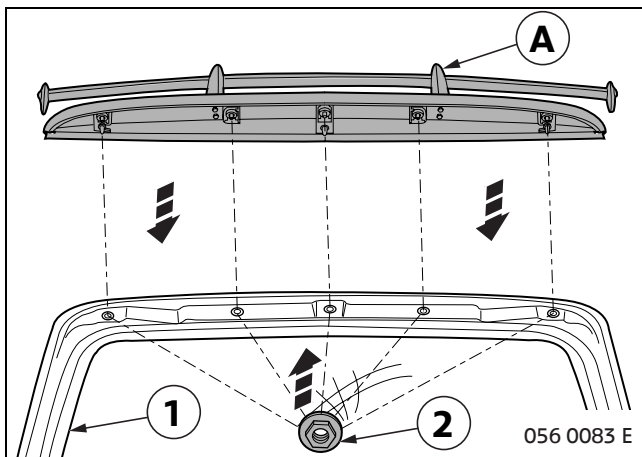
For primed retrofit kit only.

Spoiler **A** is disassembled as follows:

- Remove the four hexagon bolts (1).
- Take the top (2) off base plate **A**.

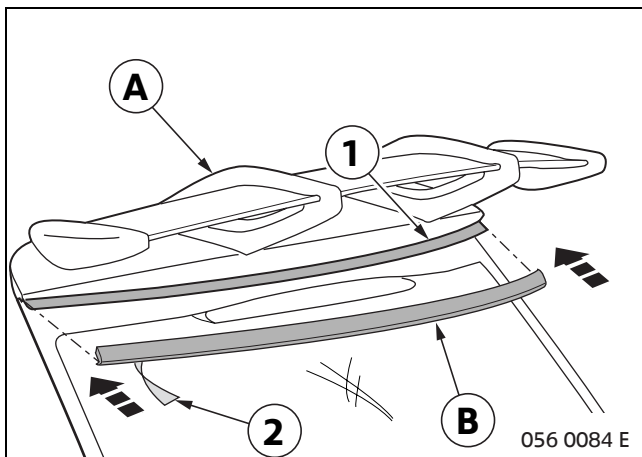
▶ The top (2) of spoiler **A** is **not** painted. ◀

▶ Before assembling the painted parts, pull the protective film (3) off the adhesive locating surface. ◀



For all retrofit kits.

Screw spoiler **A** onto tailgate (1) with nuts (2) according to TIS.



For primed retrofit kit only.

Clean the adhesive area (1) of rear spoiler **A** with spirit.

Pull the protective film (2) off the adhesive locating surface on the bottom of cover **B**.

Stick on cover **B** and press on with hand roller.