

# Original MINI Accessories. Installation Instructions.



## iPod Interface Retrofit MINI ONE and COOPER (R 56) MINI COOPER S (R 56)

**These installation instructions are only valid for cars with SA 672 (CD changer) or SA 694 (CD changer preparation).**

**Retrofit kit No.**            65 41 0 422 163    iPod interface retrofit kit

### Installation time

The installation time is approx 1.0 hours, but may vary depending on the condition of the car and the equipment in it.

The installation time will increase by approx. 0.25 hours for cars with SA 672 (CD changer).

In general the car must be upgraded to the latest I stage status by flashing before starting the work. Depending on the production age of the car and the work already carried out on the car, the programming times will vary, which means that we cannot quote a specific time at this point.

The installation time does not include any time for programming/encoding, as this depends on the age of the car and the equipment in it.

### Important information

These installation instructions are primarily designed for use within the BMW dealership organization and by authorized BMW service companies.

In any event, the target group for these installation instructions is specialist personnel trained on BMW cars with the appropriate specialist knowledge.

All work must be completed using the latest BMW repair manuals, circuit diagrams, servicing manuals and work instructions, in a rational order, using the prescribed tools (special tools) and observing current health and safety regulations.

**In the event of any installation or function problems, restrict the troubleshooting session to about 0.5 hours for mechanical work or 1 hour for electrical work.**

In order to reduce costs and avoid any additional expense, send a query immediately to the Technical Parts Support via the Aftersales Assistance Portal (ASAP).

Quote the following information:

- Chassis number,
- Retrofit kit part number:
- detailed description of the problem.
- Any work already carried out.

Quote the VIN and the part number of the retrofit kit and provide a detailed description of the problem.

Do not archive the hard copy of these installation instructions since daily updates are made by ASAP!

Pictograms:



Denotes instructions that draw your attention to special features.



Denotes the end of the instruction or other text.

## **Installation information**

All pictures show LHD cars; proceed accordingly on RHD cars.

Ensure that the cables/lines are not kinked or damaged as you install them in the car. Costs incurred as a result of this will not be reimbursed by BMW AG.

Additional cables/lines that you install must be secured with cable ties.

If the specified PIN chambers are occupied, bridges, double crimps or twin-lead terminals must be used.

After the installation work the retrofit must be programmed / coded using SSS (software service station) via the **Retrofit** path.

When routing fibre optic cables, make sure the bending radius is no less than 25 mm.

## **Assembly instructions for cars with SA 672 (CD changer)**

- The CD changer must be removed.

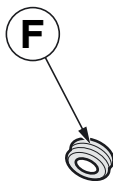
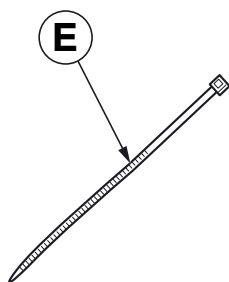
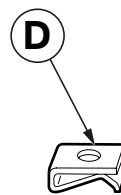
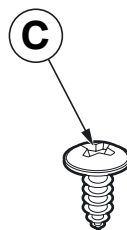
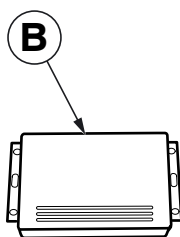
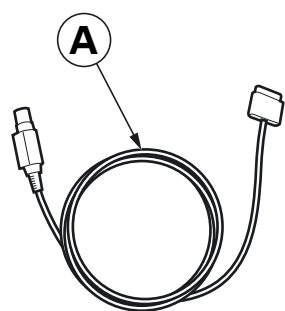
## **Special tools required**

00 9 317, Trim wedge

# Contents

Section	Page
1. Parts list . . . . .	4
2. Preparatory work . . . . .	5
3. Connection diagram . . . . .	6
4. Installation and cabling diagram. . . . .	7
5. To prepare the installation of the interface . . . . .	8
6. To install the connection cable . . . . .	9
7. To install the interface . . . . .	10
8. Concluding work and coding. . . . .	12

## 1. Parts list



R56 0079 Z

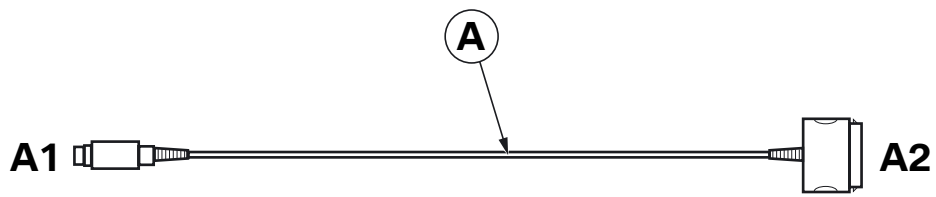
### Legend

- A** Connection cable
- B** Interface
- C** Self-tapping screw (2x)
- D** Speed nut (2x)
- E** Cable tie (10x)
- F** Grommet
- G** Damping pad (4x)

## 2. Preparatory work

	TIS No.
Conduct a brief test	---
Disconnect negative pole of battery	12 00 ...
<b>The following components must be removed first of all</b>	
Décor strip on right of dashboard (cars without SA 672 (CD changer) and without SA 493 (shelf package) only)	51 45 380
Décor trim on left of dashboard	51 45 370
Trim for bottom of dashboard	51 45 180
Trim for side of centre console	51 45 ...
Instrument cover	51 45 435
Centre console trim	51 16 160
Complete instrument cluster	62 10 125

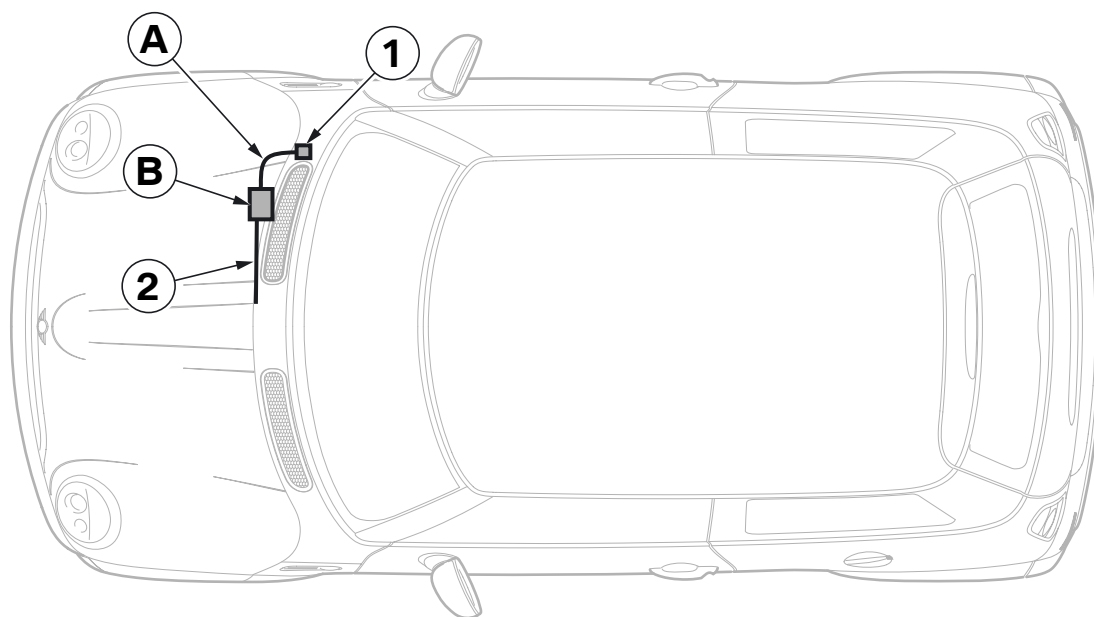
### 3. Connection diagram



R56 0080 Z

Branch / Item	Designation	Signal	Cable colour / Cross-section	Connection location in the car	Abbreviation / Slot
A	Connection cable	---	---	---	---
A1	Black 12-pin socket casing	---	---	On interface <b>B</b>	---
A2	iPod connection plug	---	---	On iPod	---

## 4. Installation and cabling diagram

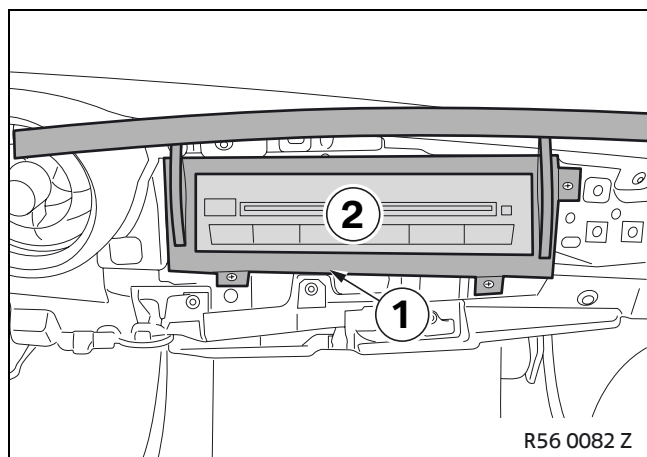


R56 0081 Z


### Legend

- A** Connection cable
- B** Interface
  
- 1** iPod connection plug **A2**
- 2** CD changer connection cable

## 5. To prepare the installation of the interface

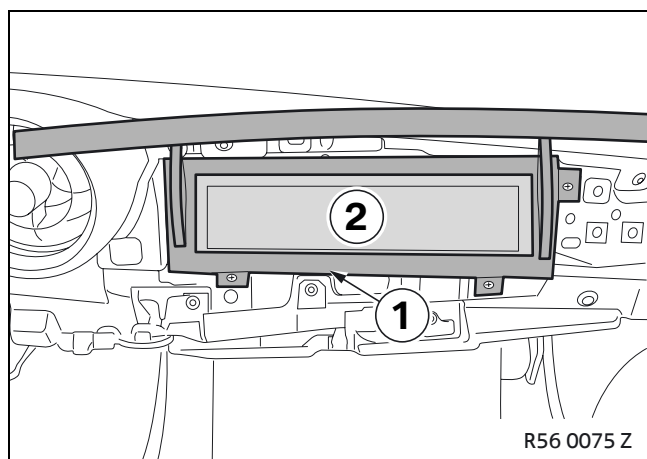


### Cars with SA 672 (CD changer) only

 The connection plug of the CD changer (2) is needed for the interface connection. ◀

Remove the slot (1).

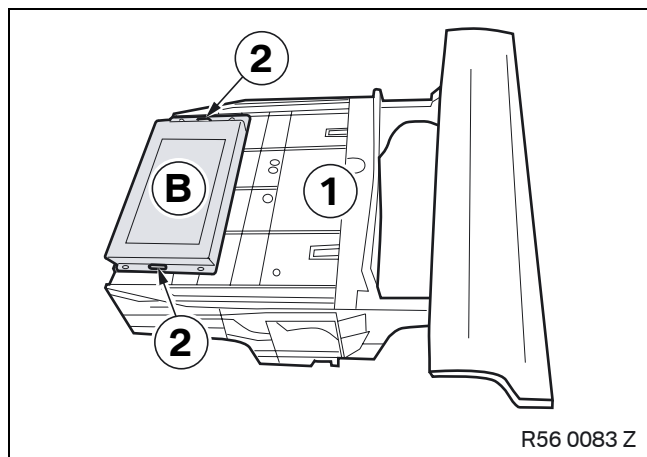
Remove the CD changer (2) (no longer required).



### Cars with SA 493 only (storage package):

Remove the storage compartment (1).

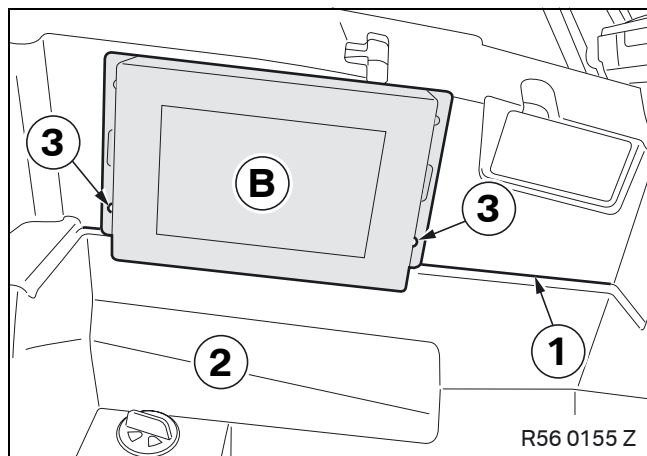
Remove the insert (2) (no longer required).



### Cars with SA 672 (CD changer) or SA 493 (storage package) only

Hold interface **B** on back edge of the storage compartment (1).

Mark both holes (2) on the storage compartment (1) and drill through with a 5 mm twist drill bit.



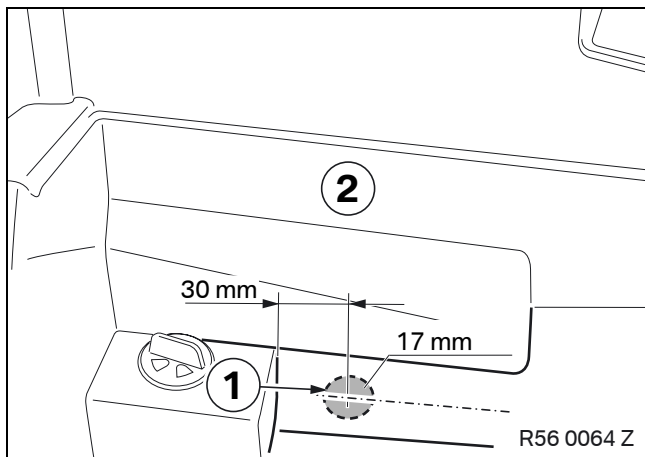
### Cars with SA 694 (CD changer preparation) and without SA 493 (storage package) only

Hold interface **B** against the edge (1) in glovebox (2).

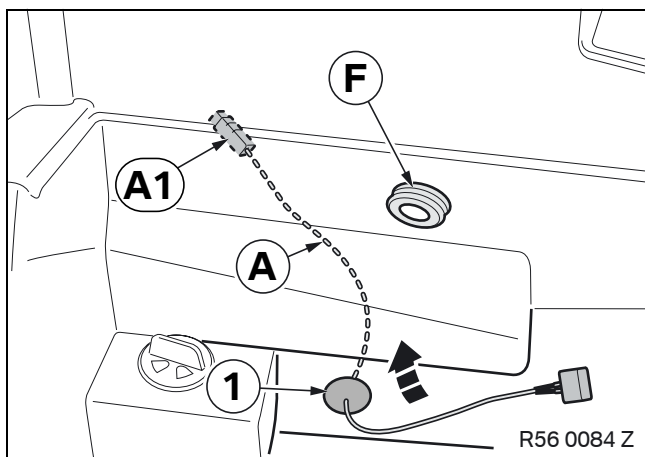
Mark both holes (3) on the glovebox (1) and drill through with a 5 mm twist drill bit.



## 6. To install the connection cable

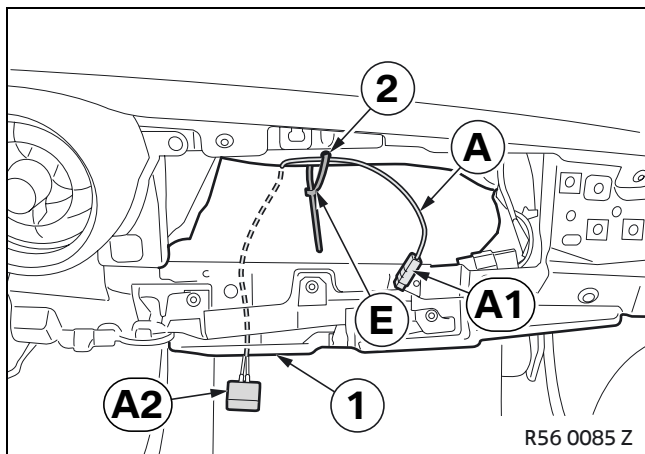


Drill through the hole (1) in the glove compartment (2) using a 17 mm step drill bit using the dimensions shown.



Install connection cable **A** as follows:

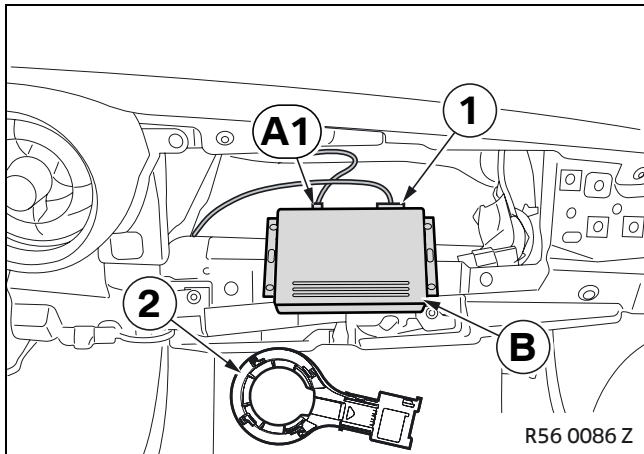
- Route branch **A1** through the hole (1)
- Push grommet **F** onto branch **A1** and insert it into the hole (1)




Pull branch **A1** of connection cable **A** to the inside until iPod connection plug **A2** is located just above the outside edge (1) of the glove compartment.

Use cable tie **E** to secure connection cable **A** to the hole (2) in the dashboard support to act as strain relief.

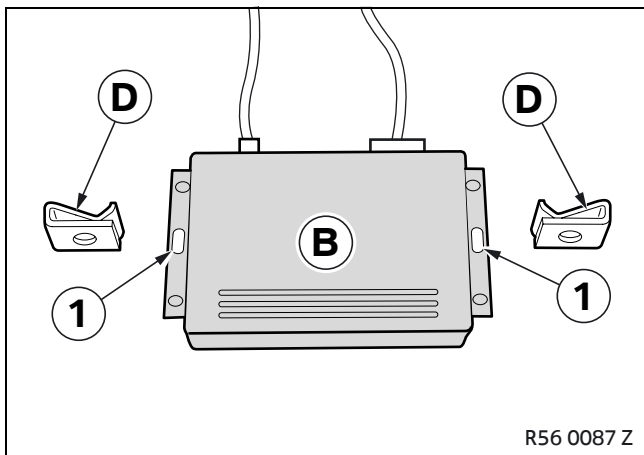
## 7. To install the interface



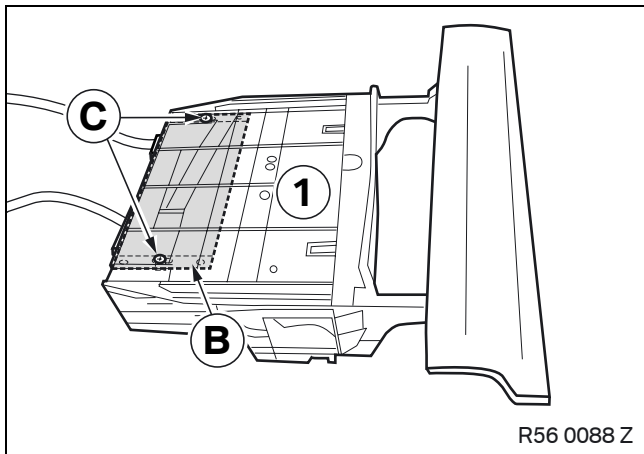
 In cars with SA 694 (CD changer preparation), the tied-back CD changer plug (1) must be released and the short circuit plug (2) removed. ◀

Route the CD changer plug (1) to the interface **B** and plug it in.

Route branch **A1** to interface **B** and connect it.



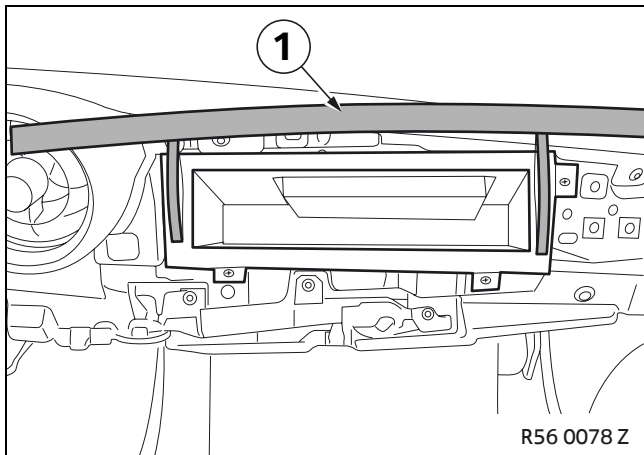
Push speed nuts **D** onto the slots (1) in the interface **B**.




**Cars with SA 672 (CD changer) or with SA 493 (shelf package) only**

Use self-tapping screws **C** to screw interface **B** onto the inside at the top of the storage compartment (1).

Install the storage compartment (1) in the car.



 The flap (1) must be fixed after mounting the interface in order to avoid it being opened by the customer. ◀

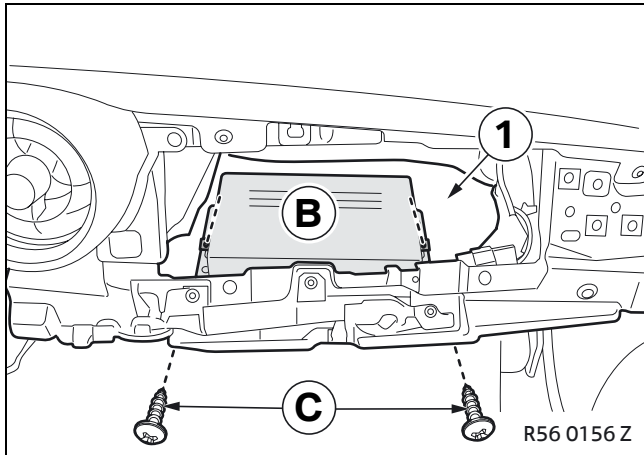
Attach Velcro or adhesive tape at a suitable point.

Close the flap (1).

## 7. To install the interface

**Cars with SA 694 (CD changer preparation) and without SA 493 (storage package) only**

Screw interface **B** to the glovebox (1) with self-tapping screws **C**.



## 8. Concluding work and coding

The retrofit system requires coding.

- Connect the battery
- Program/encode the retrofit with SSS (software service station) via the **Retrofit** path
- Conduct a brief test
- Conduct a function test
- Re-assemble the car